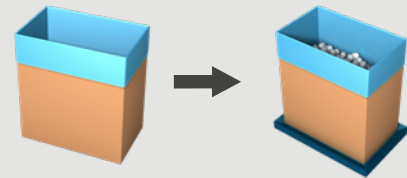


LINEAR VIBRATORY WEIGHFILLER LVF-15A-D

The LVF-15A-D one head linear vibratory filler offers the most suitable solution to weigh and fill **high volume products** such as margarine flakes and dehydrated & sliced fruit.



COMBINE
CONSTANT
FILLING WITH LOW
DROP HEIGHT

Easy to use & compact machine

- Your ideal solution for **easy and constant filling** up to 5 c/min.
- Hygienic design.
- Compact and low machine.

Gentle product treatment

- Gross filling **straight into the box** reduces **drop height and number of drops**.

TECHNICAL SPECIFICATIONS LVF-15A-D

Easy weigh filling

- One big vibrating pan for coarse and fine filling.
- High amplitude vibratory feeder with stroke of max. 0.35 inches.
- Filling straight into the box and weighing on a scale underneath the carton.

Gross filling directly into the box

- Reduces drop height.
- Offers a more constant product filling.
- Prevents product from sticking in a weigh hopper.

Products up to 4 x 4 x 4 inches

- Dehydrated products with very low density.
- High volume products needing a high amplitude such as margarine flakes and dehydrated & sliced fruit.

Standard equipped with

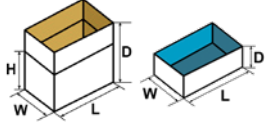
- Integrated scale
- Colour touch panel
- Stainless steel support frame
- Access point for remote support (one per line)



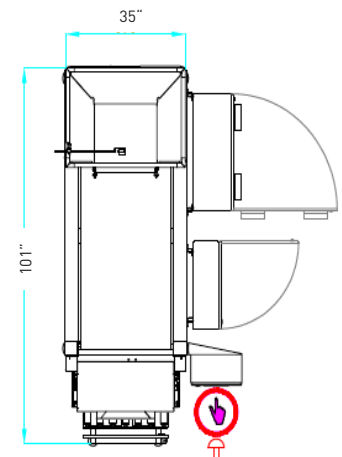
Coarse and fine filling



Filling straight into the box

CONTAINER SPECIFICATIONS (For other dimensions, please contact Pattyn)	
Type	Cases, trays, plastic crates...
Range (L x W // D) mm	Min. 12" (L) x 8" (W) // 4" (D) Max. 31 1/2" (L) x 19 1/2" (W) // 25 1/2" (D)
	Outside dimensions
OUTPUT AND CONSUMPTION	
Output	Up to 5 c/m (depending on product and weight)
Product diameter size	Max. 4 x 4 x 4 inches
Installed power	3 kW
Voltage	3 x 480V + E / 60 Hz
Air supply	90 PSI, (1/8" min)
Air consumption	0.04 ft ³ / cycle
Weight	1378 lbs
OPTIONS (More options are available, please contact Pattyn)	
Dimple plate execution	
Heating element to prevent condensation	

LVF-15A-D



LVF 15A-D

Machine height 87 inches

Machine height as reference only, depending on case dimensions.

**Accuracy depends on the product and capacity.
For more details or specific requirements, please contact us.**

Pattyn North America Inc.
N76 W30500 County Road Vv
Hartland, WI. 53029 - U.S.A

Ph +1 262-966-0300
Fax +1 262-966-0312
SalesUsa@pattyn.com



The description, pictures and information given have an indicative value. We reserve the right to make changes without notice. Information and content is property of Pattyn. For customized executions please contact Pattyn. LVF-15A-D 2021 - V01

PATTYN®

Turnkey solutions for industrial packaging.